

BULK TYPE ULTRASONIC FLOW METER

Model : PS 3000 (Paraswanik SROAT)

Features :

- Battery Operated (Battery Life 5 Years)
- Sizes Available from 2" to 20".
- Maintenance – free meter where no external power sources are available.
- Self-adjusting transducer receiving circuit continually adapts to changing pipe diameters due to scaling or corrosion.
- The meter contains No moving parts & does not require any external power supply.
- Highly Accurate & Reliable.
- Fast response to flow transits.
- Unique housing design rated to IP 68.

Description :

Manas have now introduced a new Bulk type Ultrasonic Flow Meter Series. This meter operates on digital process technology with stable & permanent Piezo-Seal sensor. It is available with integral version of transmitter.

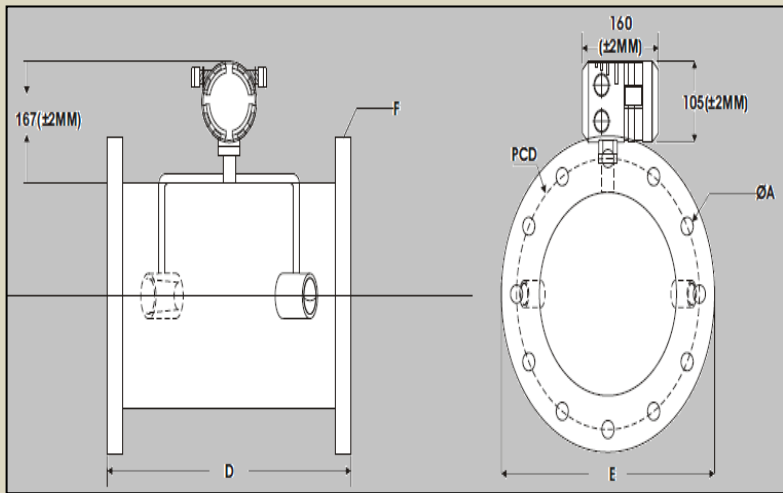
Bulk type Ultrasonic Flow meter is a battery operated and transit-time Flow meter utilizing advanced digital processing technology. It is specifically designed where Electric supply is not available & accurate flow measurement is essential.



*Technical Specifications

| | |
|----------------------------|---|
| Meter Size | : DN 50 – DN 500 |
| Pressure | : Up to DN 80 - PN 40 From DN 100 to DN 200 - PN 16 From DN 250 to DN 350 - PN 10 |
| Media Temperature | : 5°C to 70°C (for Water) |
| Ambient Temperature | : 0 - 50° C |
| Output | : RS485, 4-20 mA, Pulse for total flow. (All outputs need external power supply 24 V DC) |
| GSM Facility | : Optionally Available. |
| Local Display | : 2 Line LCD Display For instantaneous Flow rate, Totalizer, Engg. Units, Fault messages,etc. |
| Accuracy | : ±1 % of Actual Flow Rate |
| Repeatability | : ±0.2 % of reading. |
| Flow Velocity | : 0.2 m/s to 12 m/s |
| Power Supply | : 3.6 V Lithium battery (Up to 5 years life) |
| Ingress Protection | : IP 68 |

Meter Dimensions (mm)



Note :

1. All dimensions are in mm.
2. Dimensions are with ANSI B 16.5, class 150 flanges with terminal box.
3. PRODUCTION STANDARD FLANGES :
ANSI B 16.5, class 150 up to DN125
BS10, Table E for DN 150 & DN 200
BS10, Table F for DN 250 to DN 350
IS1538 for Above DN 400

ORDERING INFORMATION :

| FLOW METER SIZE | |
|-----------------|--------|
| DN 50 | : 2" |
| DN 65 | : 2 ½" |
| DN 80 | : 3" |
| DN 100 | : 4" |
| DN 125 | : 5" |
| DN 150 | : 6" |
| DN 200 | : 8" |
| DN 250 | : 10" |
| DN 300 | : 12" |
| DN 350 | : 14" |
| DN 400 | : 16" |
| DN 450 | : 18" |
| DN 500 | : 20" |

FLANGE / END CONNECTION

| | |
|-----------|------------|
| ANSI 150 | : ANSI 150 |
| IS1538 | : IS 1538 |
| BS 10, | : BS 10E |
| BS 10, | : BS 10F |
| Any Other | : ZZ |

FLANGE / END CONNECTION MATERIAL

| | |
|---------------------|-----------|
| Mild / Carbon Steel | : MS / CS |
| Stainless Steel | : SS304 |
| Stainless Steel | : SS316 |
| Any Other | : ZZ |

Pipe MATERIAL

| | |
|-----------------------|---------|
| Stainless Steel SS304 | : SS304 |
| Stainless Steel SS316 | : SS316 |
| Any Other | : ZZ |

Communication Facility

| | |
|-------|-------|
| RS232 | : RS2 |
| RS485 | : RS4 |

POWER SUPPLY

| | |
|------------------|---------|
| Battery Operated | : 3.6 V |
|------------------|---------|

DN50 ANSI 150 CS SS304 RS4 3.6 V

Sample Order Code

* Due to continuous development specifications are subject to change without prior notice.

manas microsystems pvt. ltd.

WORKS : EL-54, ELECTRONIC ZONE, J-Block, M.I.D.C., Bhosari, PUNE - 411026. (INDIA)

Phone No.:- +91-020-27127044 / 27127858 / 07722034924

Fax No.:- +91-020-27127045, Mob No : 09975598938 / 39

Email: mktg@manasmicro.com, manasmicro@gmail.com

Website: www.manasmicro.com / www.flowmeterindia.in / www.manasmicro.in

